



OUTRIDER



WYOMING STATE LIBRARY NEWSLETTER

VOL. 49 | ISSUE 12 | DECEMBER 2020

Diversity Training for Wyoming Librarians

What does “equitable services” mean in libraries, and what does it look like? How can we ensure that those in underserved groups have a voice and feel included?



Suzanne Reymer

To explore these issues, Wyoming library workers and trustees in all types of libraries are invited to attend an online training in January, “We’re All in This Together: Serving the Whole Community.”

This hour-long session with Suzanne Reymer, Statewide Consulting Librarian for the Montana State Library, will introduce community engagement concepts using Census data and focus on how libraries can be windows to the world.

The training will be offered three times in January. [See dates and register](#). Registration closes January 8, 2021. These sessions will not be recorded.

Why attend? This training will enable you to scan your community and identify who is not being fully served. You’ll learn to consider all community members and even the historical nature of the community when developing and designing library services.

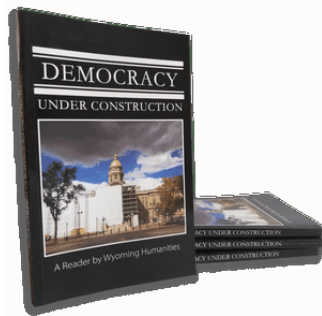
This training is part of a six-state project to help small and rural public libraries develop community-based strategic plans. The project is made possible by a grant from the Institute of Museum and Library Services.

Learn more about the [training](#) and about the [grant project](#). Questions? Contact Brian Greene at brian.greene@wyo.gov or (307) 777-6339.

WSL News

WSL HELPS SPARK DISCUSSION ON ISSUES IMPACTING DEMOCRACY

The Wyoming State Library has partnered with Wyoming Humanities to help the state’s residents better understand the history and current issues impacting democracy. The State Library will distribute *Democracy Under Construction: A Reader by Wyoming Humanities* for Wyomingites to read, share, and discuss with their fellow citizens. The book gathers creative and critical writings about democracy – both historical and current.



Wyoming public, academic, and high school libraries will receive multiple copies. The WSL will also have reading group kits available to libraries upon request. Book distribution should take place early in 2021. [Learn more](#) and download the [reading guide](#).

The Federation of State Humanities Councils, with the support of the Andrew W. Mellon Foundation, awarded \$34,793 to Wyoming Humanities for this initiative intended to help Wyomingites better understand the history and

current issues impacting democracy in the U.S., with emphasis on how journalism shapes our nation’s democratic state.

LETTERS ABOUT LITERATURE DEADLINE NEARING IN JANUARY

The postmark deadline to enter the Wyoming Letters About Literature Writing Contest is only one month away on January 9, 2021. Wyoming students in grades 4-12 can win Amazon gift cards of up to \$150. Letters will be judged in three levels: grades 4-6, grades 7-8, and grades 9-12. Both classroom and individual entries are welcome. Learn more at library.wyo.gov/letters.

Questions may be directed to Susan Mark at (307) 777-5915 or susan.mark@wyo.gov.



Calendar

- Jan 9 [Wyoming Letters About Literature Deadline](#)
- Jan 19 [National Day of Racial Healing](#)
- Jan 22-26 [ALA Midwinter](#)
- Feb 26 [Big Talk from Small Libraries](#)

Databases & Electronic Resources

WSL ADDS AUDIOBOOKS AND EBOOKS FOR YOUNG WYOMING READERS



Will your child or teen find a new phone or tablet under the Christmas tree this year? It can be used to open up a world of reading with online resources from the Wyoming State Library.

In response to the pandemic, the State Library purchased more than 6,000 new downloadable titles for young readers this year — 1,796 audiobooks and 4,950 ebooks. These are available at no cost to every Wyoming resident through [cloudLibrary](#) in [GoWYLD.net](#). Children and teens will find a wide variety of fiction and nonfiction to enjoy. In fact, with this purchase, downloadable ebooks and audiobooks for young readers comprise approximately 30% of the electronic materials available.

The State Library offers nearly 30,000 titles and more than 50,000 copies of ebooks and audiobooks, so there's reading material available for all ages. Go to [GoWYLD.net](#) and click on [Digital Library](#) at the top.

Special Libraries

COVID-19 AND HOLIDAY MEMORIES



How will your holidays be different this year? As the pandemic continues to impact our lives, the Wyoming State Archives and State Museum, the University of Wyoming American Heritage Center (AHC), and the Wyoming State Historical Society are working together to preserve your experiences and encourage our communities to take photographs, write stories, create artwork, interview friends and family, and tell us how you lived through this historic time and celebrated the holidays with friends, family, and loved ones.

[Learn more](#). For information or to offer items, contact Kathy Marquis, State Archivist at kathy.marquis@wyo.gov, Jennifer Alexander, Wyoming State Museum Collections at jennifer.alexander@wyo.gov, or Sara Davis, University Archivist at the AHC at sara.davis@uwyo.edu.

Trustees, Friends, & Foundations

SPACE PLANNING GUIDE FOR LIBRARIES

The Massachusetts Board of Library Commissioners (MBLC) has released [Library Space: A Planning Resource for Librarians](#), a guide to planning new or reconfigured public library spaces. This resource creates a formal set of best practices for designing library space that may be applied to libraries across the nation.

The guide gives librarians, administrators, space planners, and architects tools for the planning and design of public library buildings. It takes the user through the step by step process of determining what to consider when designing a new library for their community, and includes illustrations of different room types, adjacencies, shelving, and seating that can be considered for a building project.

INTELLECTUAL FREEDOM AND PUBLIC LIBRARY POLICY

The American Library Association (ALA) defines intellectual freedom as “the right of every individual to both seek and receive information from all points of view without restriction.” Through free access to information representing a range of perspectives, intellectual freedom

allows individuals to explore “any and all sides of a question, cause, or movement.”

The values of intellectual freedom should impact how library policy is set at the local level, including collection development, library card registration, internet use, and programming.

Library policies help protect the rights of library users to read and view information. They also communicate the guidelines the library follows when making decisions about library materials.

Want to learn more? The Colorado State Library has put together an excellent set of resources in their [December 2020 Trustee Corner](#).

**WYOMING CAN!
BE CYBER-SECURE!**

December Video:
**HOW HACKERS
GET YOUR INFO**

LEARN MORE

WYOCAN
WYOMING CYBERSECURITY ACTION NETWORK

Wyoming STATE LIBRARY

Wyoming CAN (Cybersecurity Action Network) Committee and the Wyoming State Library present a collection of videos designed to increase cyber safety in Wyoming communities. library.wyo.gov/wyocan

VOLUNTEER AND STAFF RECOGNITION DURING A PANDEMIC

How can we show our appreciation and recognize efforts during this season of “Saying Thanks,” stay connected



while distanced, and continue building essential relationships while gatherings are prohibited?

Even more importantly: How can we ensure that our method of appreciation will be meaningful for volunteers, staff, and trustees, help them feel appreciated, and recognize the importance of their work to the success of the library?

The Vermont Department of Libraries offered a number of tips and ideas for recognition and appreciation during COVID-times in their December 2020 newsletter. [Read their suggestions](#) on the WSL blog.

What’s Up?

If you have great happenings at your library, we’d like to know! Send news to Susan Mark at susan.mark@wyo.gov.

Intellectual Property

WYOMING PATENTS FOR CHRISTMAS

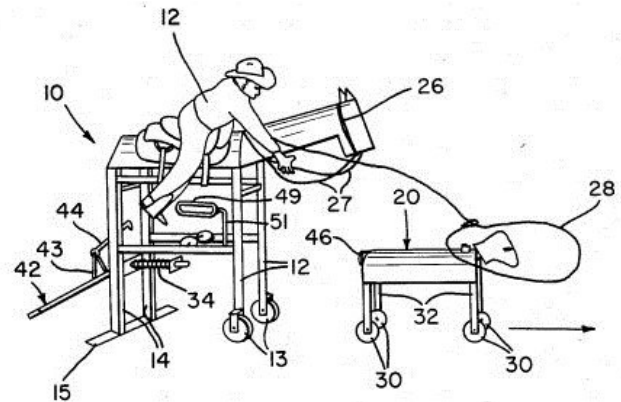


FIG. 3

[4,498,676](#) *System for Practicing Roping*, Robert R. Runner, Pavillion, WY. 1985

Christmas Day is coming and soon Santa Claus will make his appearance across the Equality State, bringing toys and joy to all!

Wyomingites have proven themselves to be creative and innovative in all areas of life – including games and toys. Join the Wyoming State Library on a journey through our Wyoming Inventors database as we highlight some [delightful and playful Wyoming patents](#).

And, as always, know that you can use our [Patent and Trademark Resource Center](#) for all your intellectual property questions, or contact us at statelibrary@wyo.gov or (307) 777-6333.

Training

DEALING WITH ANGRY PATRONS

During the pandemic, tensions have been running high. Library workers can find themselves facing patrons who are angry not just over



the usual issues, but over masks and reduced access and services. [WebJunction](#) has free, online training that can help. Their self-paced course, [Dealing with Angry Patrons](#), will teach you how to minimize conflict, defuse patron anger, and identify the underlying issues

Find more offerings from WebJunction in their [course catalog](#).

Intellectual Freedom

HOW TO REPORT 2020 CENSORSHIP INCIDENTS TO THE OIF

The American Library Association [Office for Intellectual Freedom \(OIF\)](#) is seeking information on any ban or request to remove library or school materials, displays, and

programs that happened in 2020. Those with information about bans and challenges that happened anytime this year are encouraged to submit OIF's [online reporting form](#) by December 31, 2020. All personal and institutional information submitted is kept confidential.

Anyone can contact OIF throughout the year when they face a challenge, ban, or access or privacy issue. Wyoming libraries are also encouraged to contact the Wyoming Library Association's Intellectual Freedom Advisor, Janice Grover-Roosa, at (307) 382-1701 or librarian@westernwyoming.edu.

People News

Carey Hartmann, County Librarian and Executive Director of Laramie County Library System, recently celebrated her 40th anniversary with the organization. In November of 1980, Carey began her career with the library's Children's Division. She moved on to work as an Audiovisual Specialist and Division Head in Distribution Services, as Manager of Circulation, and as Assistant County Librarian until being appointed County Librarian in August of 2015.

Kathy Kallas has retired after 31 years with the Uinta County Library. Kathy joined the library in 1989, working at the front desk and in circulation. For the last 29 years she has been head of the circulation department.

ONLINE TRAINING 'AT YOUR LEISURE'

In addition to the live webinars in our training calendar, each month we try to pick some videos out there that you can watch "At Your Leisure." These on-demand offerings caught our attention for December:

- [Chilton Library](#) (Gale)
- [CopyTalk Webinar Archive](#) (American Library Association)
- [2017 Virtual Genealogy Fair: Taking Care of your Family Heirlooms](#) (U.S. National Archives)
- [Culturally Responsive STEAM Programming: Engaging Latinx Communities in Rural Areas](#) (STARnet)
- [Closing the Gender Gap: Developing Gender Equitable STEAM Programs](#) (STARnet)

Library Jobs

Assistant Librarian – Collection Development Librarian

University of Wyoming Libraries
Laramie, WY
Open until filled

Assistant Librarian – Learning and Engagement Librarian

University of Wyoming Libraries
Laramie, WY
Open until filled

Youth Services

WYOMING READS 2021 BOOKS CHOSEN



The six books for next year's [Wyoming Reads](#) have been selected, and the state's first graders are going to have a hard time picking only one of these fabulous books to keep and cherish:

- *Brick by Brick* by Heidi Woodward Sheffield
- *The World Needs More Purple People* by Kristen Bell and Benjamin Hart, illustrated by Daniel Wiseman
- *Stretchy McHandsome* by Judy Schachner
- *On Account of the Gum* by Adam Rex
- *Alma and How She Got Her Name* by Juana Martinez-Neal
- *This Is a Seahorse* by Cassandra Federman

Wyoming Reads is a statewide celebration focusing on the joy of reading. The highlight is that every first-grade student in Wyoming receives a hardback book with their name printed inside the cover, donated by the Sue Jorgensen Library Foundation.

Grants & Awards

Walmart Community Grant Program

DEADLINE: December 31, 2020

Grants of up to \$5,000 will be awarded in support of local nonprofit organizations within the service area of individual Walmart or Sam's Club stores for projects that benefit the community at large. Eligible nonprofit organizations must operate on the local level or be an affiliate/chapter of a larger organization that operates locally, and they must directly benefit the service area of the store from which they are requesting funding.

NEH Preservation Assistance Grants for Smaller Institutions

DEADLINE: January 14, 2021

This program helps improve the ability to preserve and care for humanities collections, including books, journals, archives and manuscripts, prints, photographs, moving images, sound recordings, architectural and cartographic records, fine art objects, textiles, archaeological and ethnographic artifacts, furniture, and digital materials.

Want More News?

Get the news as it happens: Follow the Wyoming State Library on our [blog](#), [Facebook](#), and [Twitter](#).

National Endowment for the Arts'

Big Read

DEADLINE: January 27, 2021

The NEA Big Read is a community engagement opportunity offering grants of up to \$20,000 in support of virtual or in-person community-wide reading programs taking place between September 2021 and June 2022.

Laura Bush Foundation for America's Libraries Grants

DEADLINE: January 29, 2021

Provides funds to needy schools so that they can extend, update, and diversify the book and print collections in their libraries with the goal of encouraging students to develop a love of reading and learning. For a school to be eligible, a paid professional must be designated by the school administration as responsible for the school library.

Libraries Transform Communities Engagement Grant

DEADLINE: February 5, 2021

The Libraries Transform Communities Engagement Grant recognizes, promotes, and supports innovative and meaningful community engagement efforts in libraries. It provides \$2,000 for a school, public, academic, tribal, or special library to expand its community engagement efforts. For the 2020–2021 cycle, libraries are invited to submit applications for a community engagement project that focuses on anti-racism.

Peggy Barber Tribute Grant

DEADLINE: February 5, 2021

Recognizes, promotes, and supports meaningful programs in libraries that have limited and/or no access to budgetary support for programming.

Three libraries will be awarded \$2,500 to support a proposed program, program series, or programming effort. For the inaugural 2020–2021 cycle, libraries are invited to submit applications for a grant to support humanities-based programming.

News in Brief

WebJunction Resources for National Day of Racial Healing

The National Day of Racial Healing (NDORH) is an opportunity for people, organizations, and communities to call for racial healing, bring people together in their shared humanity, and take action together to create a more just and equitable world. The 2021 event will be held on January 19, the day after Martin Luther King Day. WebJunction and NDORH have come up with some specific ways that libraries could encourage community participation.

Registration Now Open for ALA Midwinter Virtual

Registration for ALA Midwinter Virtual, January 22-26, 2021, is now open. The event will include “New Urgencies for Change” sessions from the Symposium on the Future of Libraries, News You

Can Use series, special author events, a virtual Exhibit Hall, the Youth Media Awards, the I Love My Librarian Award Ceremony, live-chat presentations, and networking opportunities.

Consumer Financial Protection Bureau Resources for Libraries

In communities across the country, the library is a natural place for people to go for unbiased financial information and education. That’s why the Consumer Financial Protection Bureau has developed free resources specifically for librarians and those who work in libraries. Contact financialeducation@cfpb.gov for more ideas about money-themed programs, to offer any suggestions, and to ask questions.

Online Tool Expands Access to Treaties between the U.S. and Native Nations

The Indigenous Digital Archive’s Treaties Portal was launched on Indigenous People’s Day, October 12, 2020. This website provides public access to digital copies of the National Archives and Record Administration’s series of ratified Indian Treaties.

Resources to Celebrate Citizen Science All Year-Round

Citizen Science joins the general public with the scientific community in creating a collaborative relationship to increase scientific knowledge. The Network of the National Library of Medicine (NNLM) has citizen science and crowdsourcing resources available to support these activities.